

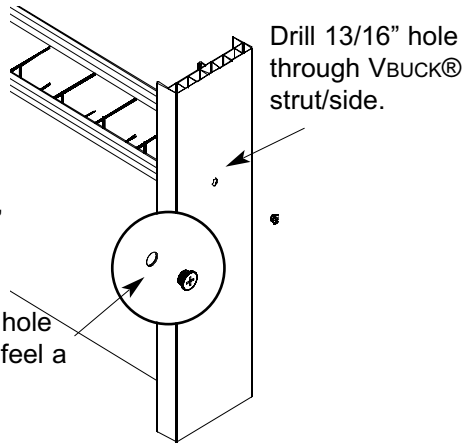
Details: Yoke & Tie Installation

Complete the bracing process by attaching the VBUCK brand Yoke & Tie or double Yoke & Tie system to side members of block-out. For best results, follow all bracing instructions .

1

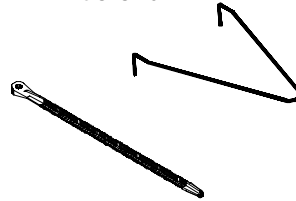
Fasten Yoke & Tie, one for 16" block; two for 24" block.

Push button into hole until you hear or feel a click.



2

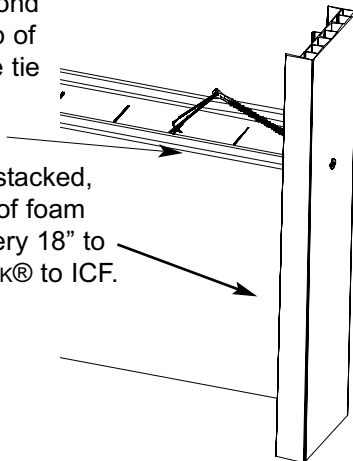
Assemble Yoke & Tie by sliding wire yoke through hole in tie end.



3

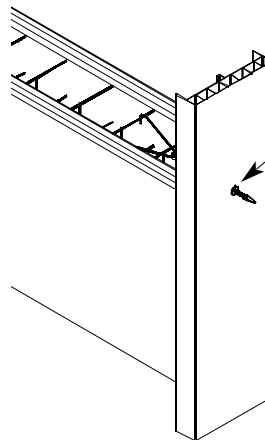
Clip yoke over second or third interior web of ICF block and slide tie through button.

After wall is stacked, use a squirt of foam adhesive every 18" to adhere VBUCK® to ICF.



4

Slide tie tightly through button to secure VBUCK® to block.



VBUCK®

U.S. PAT. 5,996,293 & 6,070,375
Canadian PAT. 2,255,256

www.vbuck.com

Office: 435-752-8453 • FAX: 435-750-6948 • Toll Free: 888-57-VBUCK (578-2825)